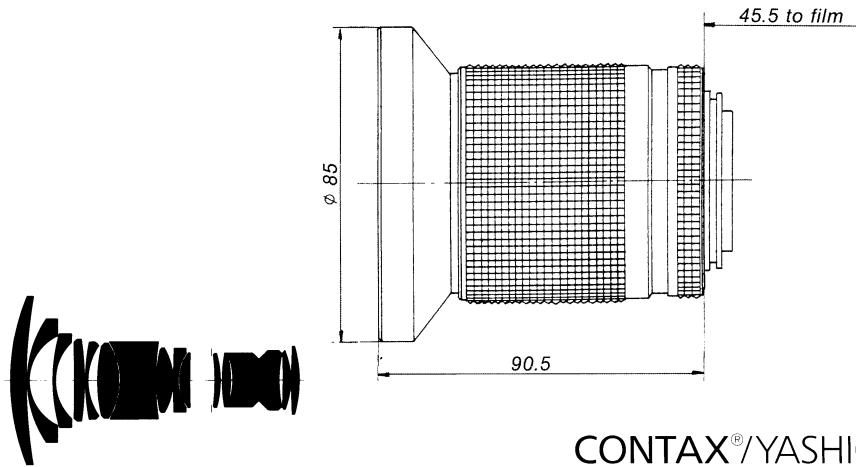


Distagon® T* f/2.8 - 21 mm



CONTAX®/YASHICA® mount

This 21 mm **Distagon**® T* f/2.8 wide-angle lens with its angular field of 92° meets the demand of experienced wide-angle photographers for a lens which would bridge the relatively large gap between the 18 mm **Distagon**® f/4 and 25 mm **Distagon**® f/2.8 lenses in the **Contax**® lens range. This new lens, however, is not a modification of the existing wide-angle lenses, but a totally new design using the latest technologies.

All of the possibilities of correcting residual chromatic aberration were utilized to the full. The systematic use of glass featuring extreme anomalous partial dispersion combined with high-index glass resulted in a level of correction never achieved before. The incorporation of an internal focusing system and a floating element ensures that this new lens delivers superior image quality in all conditions.

Cat. No. of lens:	10 49 26	Focusing range:	∞ to 0.25 m (internal focusing) Aberration correction for close range by floating element
Number of elements:	15	Entrance pupil:	
Number of groups:	13	Position:	23.2 mm behind the first lens vertex
Max. aperture:	f/2.8	Diameter:	7.3 mm
Focal length:	21.0 mm	Exit pupil:	
Negative size:	24 x 36 mm	Position:	26.2 mm in front of the last lens vertex
Angular field 2w*:	92° diagonal	Diameter:	22.2 mm
Mount:	focusing mount with bayonet; TTL metering either at full aperture or in stopped-down position. Aperture priority/Shutter priority/ Automatic programs (Multi-Mode Operation)	Position of principal planes:	
Aperture scale:	2.8 - 4 - 5.6 - 8 - 11 - 16 - 22	H:	37.2 mm behind the first lens vertex
Filter connection:	screw thread M 82 x 0.75	H':	16.0 mm behind the last lens vertex
		Back focal distance*:	37.0 mm
		Distance between first and last lens vertex:	96.7 mm
		Weight:	approx. 530 g

* at ∞



Performance data:

Distagon® T* f/2.8 - 21 mm
Cat. No. 10 49 26

1. MTF Diagrams

The image height u - calculated from the image center - is entered in mm on the horizontal axis of the graph. The modulation transfer T (MTF = Modulation Transfer Factor) is entered on the vertical axis. Parameters of the graph are the spatial frequencies R in cycles (line pairs) per mm given at the top of this page. The lowest spatial frequency corresponds to the upper pair of curves, the highest spatial frequency to the lower pair. Above each graph, the f-number k is given for which the measurement was made. "White" light means that the measurement was made with a subject illumination having the approximate spectral distribution of daylight. Unless otherwise indicated, the performance data refer to large object distances, for which normal photographic lenses are primarily used.

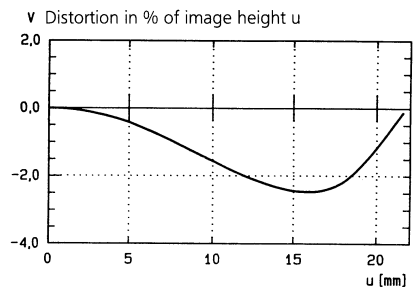
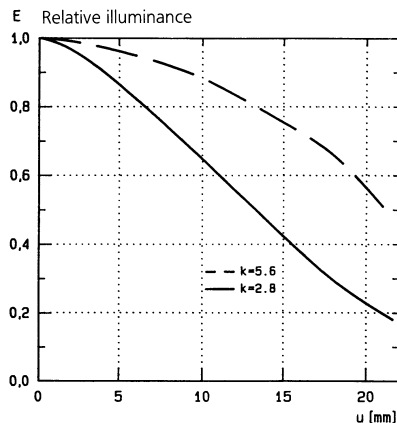
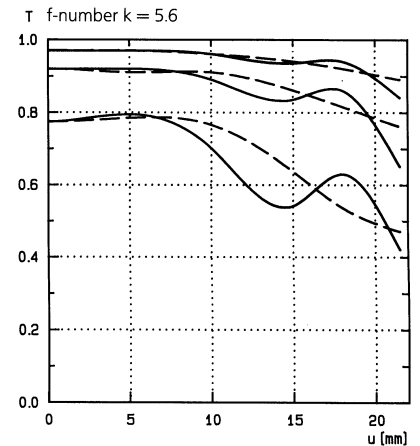
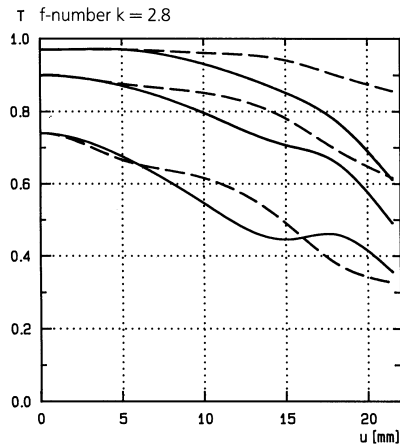
2. Relative illuminance

In this diagram the horizontal axis gives the image height u in mm and the vertical axis the relative illuminance E , both for full aperture and a moderately stopped-down lens. The values for E are determined taking into account vignetting and natural light decrease.

3. Distortion

Here again the image height u is entered on the horizontal axis in mm. The vertical axis gives the distortion V in % of the relevant image height. A positive value for V means that the actual image point is further from the image center than with perfectly distortion-free imaging (pincushion distortion); a negative V indicates barrel distortion.

Modulation transfer T as a function of image height u . Slit orientation: tangential — — — sagittal —
White light. Spatial frequencies $R = 10, 20$ and 40 cycles/mm



Carl Zeiss
Photoobjektive
D-73446 Oberkochen
Telephone (07364) 20-6175
Fax (07364) 20-4045
eMail: photo@zeiss.de
http://www.zeiss.de

Subject to change.